

**8.5-10 t**  
**G SERIES INTERNAL COMBUSTION  
COUNTERBALANCED FORKLIFT TRUCK**

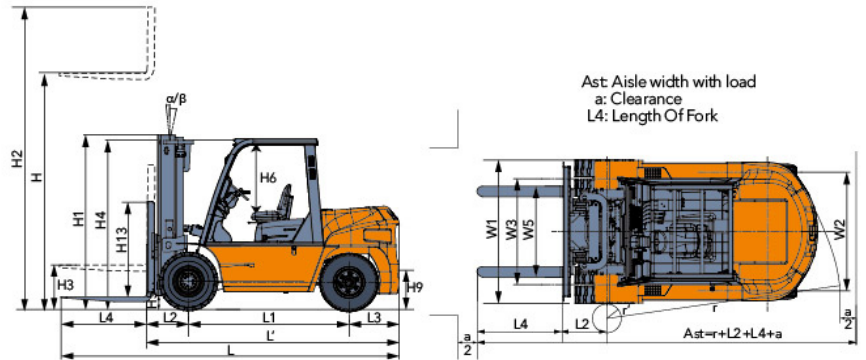
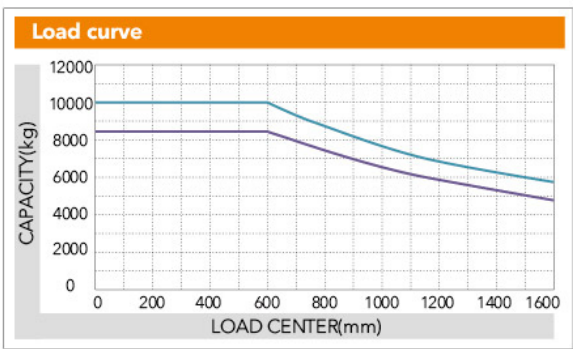
- > Fashion streamline appearance
- > Dual suspension damping structure reduces whole truck vibration and driver's fatigue;
- > Noise around ear and truck sound power level are reduced by full sealed cab and optimal design of the parts around engine.
- > With wholly hydraulic drive cooling system, aluminum radiator and special layout, the water and transmission oil temperature are reduced greatly.
- > Man-machine engineering design improves operation comfort; wide view lifting system improves vision.
- > Standard configuration of electric-hydraulic reversing system has light and easy operation; updated new intelligent gear shifting system avoiding start with second gear improves transmission box's reliability.
- > Wider internal space, more reasonable parts layout and 80°hood opening angle make maintenance easy.
- > The emission of the completed truck meets EURO III (B) and Tier IV ( I ) emission standards. DPF technology is applied in exhaust treatment.



# G SERIES INTERNAL COMBUSTION COUNTERBALANCED FORKLIFT TRUCK 8.5-10t

Characteristics			
1.01	manufacturer		<b>HELI</b>
1.02	Model		CPCD85-P3G CPCD100-P3G
1.03	Load Capacity	kg	8500 10000
1.04	Load Centre	mm	600
1.05	Power Type		Diesel
1.06	Driving style		Seated
Tire			
2.01	Front Tire		9.00-20-14PR
Dimension Parameter			
3.01	Lifting Height(standard)	H	mm 3000
3.02	Mast Tilt(fwd/bwd)	$\alpha/\beta$	deg 6/12
3.03	Min.Turning Radius	Wa	mm 3650 3900
3.04	Overall Length(with Forks)	L	mm 5175 5430
3.05	Overall Width	W1	mm 2165
3.06	Overall Height(mast without activity)	H4	mm 2560
3.07	Wheel Base	L1	mm 2500 2775
3.08	Tread(fwd/bwd)	W3/W4	mm 1600/1700
3.09	Overhang(fwd/bwd)	L2/L4	mm 707/755 722/715
3.10	Min.Under clearance	H5	mm 250
3.11	Lateral Fork Adjustment(Outside of Forks)	W5	mm 348-1944 420-2160
3.12	Fork Length	L3	mm 1220
3.13	Fork Width/Thickness	W/T	mm 170/70 175/80
Performance Parameter			
4.01	Lifting Speed(Loaded)	mm/s	380/430 310/350
4.02	Lowng Speed	mm/s	WITHOUT LOAD $\geq$ 300 WITH FULL LOAD $\leq$ 600
4.03	Traveling Speed(Loaded/Unloaded/Unloaded)	km/h	24/28 24/28
4.04	Max.Gradeability	%	21/29 21/29
Engine and Gearbox			
5.01	Engine Manufacturer/Model		Perkins1204E-E44TA (Euro IIIB, EPA Tier 4i)
5.02	Cyl. Number/Displacement	L	4/4.4
5.03	Rated Power/Rated Speed	Kw/rpm	82/2200
5.04	Max. Torque/Rated Speed	Nm/rpm	450/1400
5.05	Gearbox		Intelligent gear shifting

CPCD85 CPCD100



**ANHUI HELI CO., LTD.**  
 ADD: NO.668 Fangxing Street,Economical Development Zone,Hefei,P.R.China  
 TEL : (86 551) 63639068,63639258,63639358,63662105  
 FAX : (86 551) 63639966  
 WEBSITE : <http://www.helichina.net>  
 Email : heli@helichina.net

\* Details of specifications and equipment are based on information available at time of printing and may change without notice.

AUTHORIZED DEALER